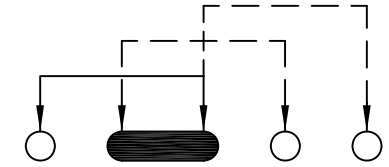
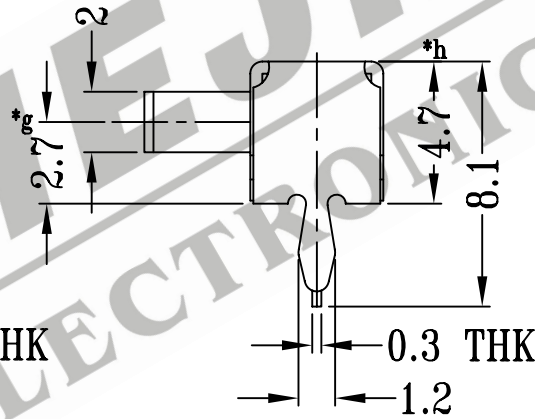
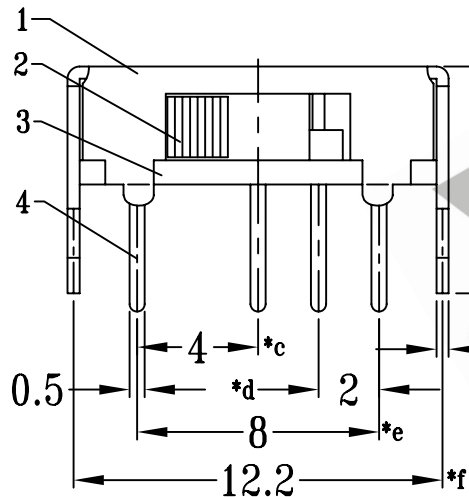
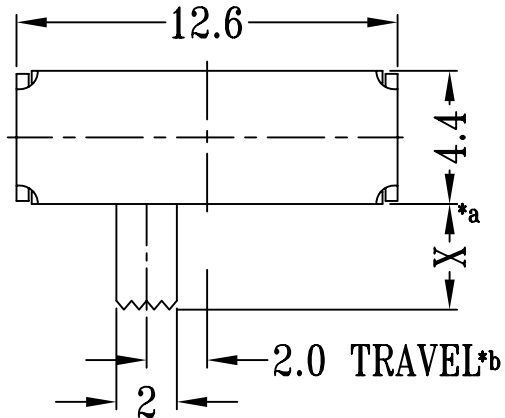
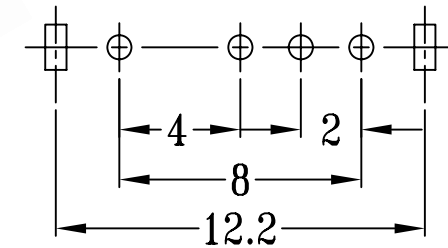


CAD FILE :



SCHEMATIC (SHORTING)



P.C.B LAYOUT

8					TOLERANCE UNLESS SPECIFIED	SHENZHEN XIEJIA ELECTRONICS CO.,LTD.				
7										
6	SPRING PLATE	STAINLESS STEEL	1	NATURAL	WITHIN: 1.5±0.1mm	ISSUE	DATE	DESCRIPTIONS		APPD
5	CONTACT CLIP	PBS	1	Ag CLAD	OVER: 1.5±0.2mm					
4	TERMINAL	BRASS STRIP	4	Ag PLATED OVER Ni PLATED	TITLE: HORIZONTAL SLIDE SWITCH		UNIT : M M	DRWG NO : XJ-DR-SK13D01-00		
3	BASE	PHENOLIC RESIN	1	NATURAL	MODEL: SK-13D01		SCALE : 4 : 1	DWN.	ZHOUYU	2003-4-8
2	KNOB	POM	1	BLACK				CHK'D	FANGYING	2003-4-8
1	FORME	STEEL STRIP	1	Ni PLATED	ALL MATERIALS MUST BE COMPLIANT TO ROHS			APPD.	KANGXINAN	2003-4-8
NO.	PART NAME	MATERIAL	QTY.	FINISHING						